



ZORLU DEĞİRMEN

DEĞİRMEN MAKİNELERİ İML. SAN. LTD. ŞTİ.

ÜRÜN KATALOĞU | PRODUCT CATALOGUE





ZORLU
DEĞİRMEN

**TEMİZLEME
CLEANING
ОЧИСТКА**

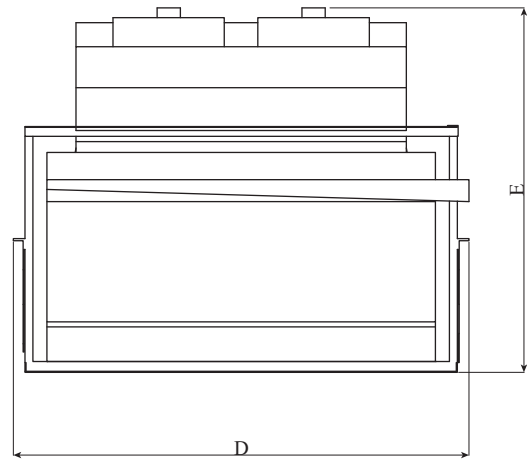
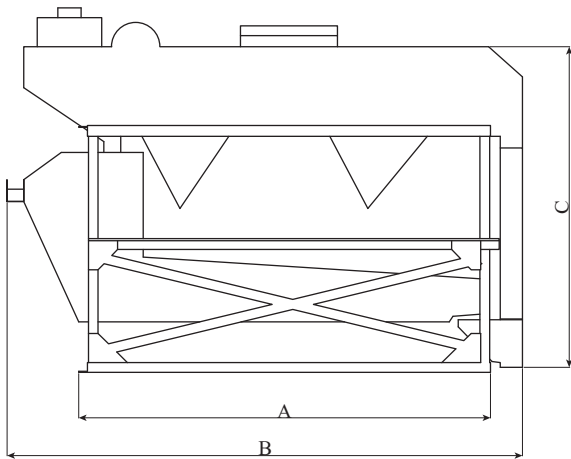
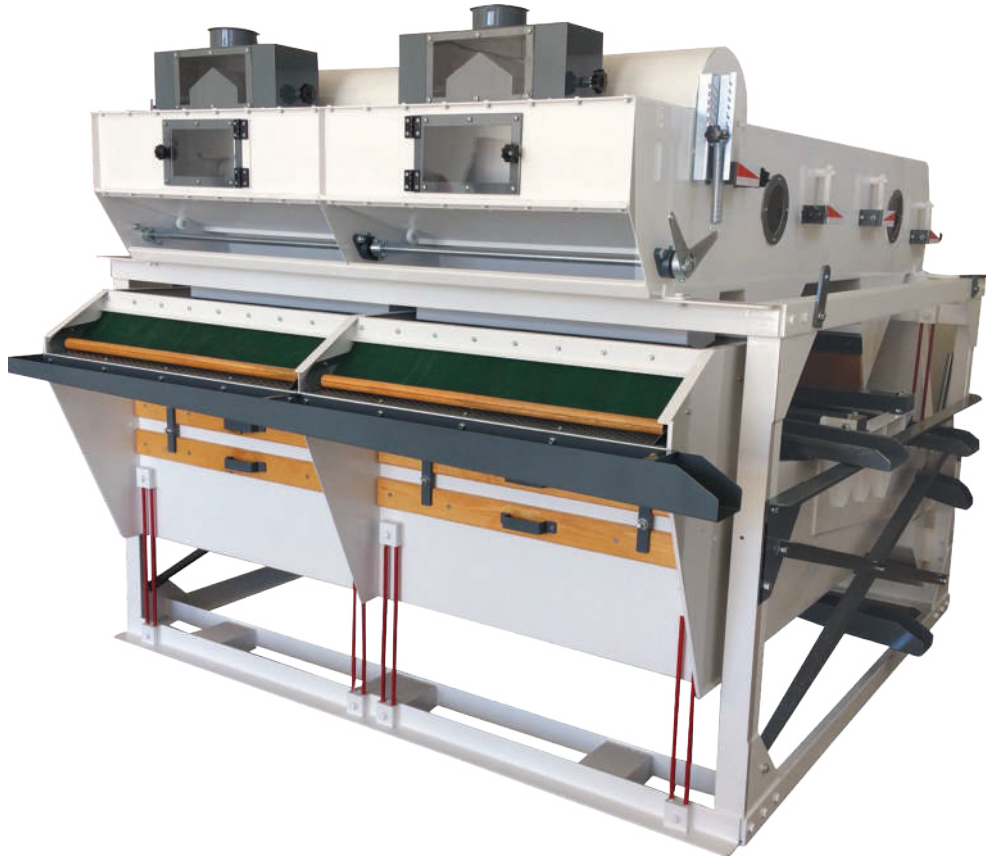




SİMON ÇÖP SASÖRÜ

Simon Grain Separator

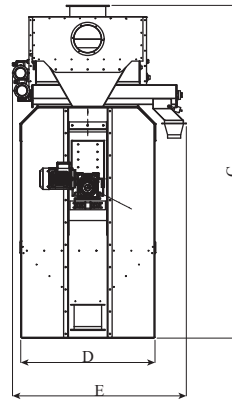
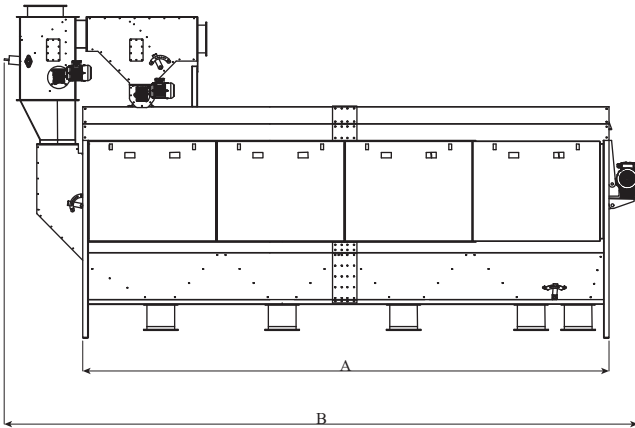
Сепаратор Очистки Саймон



| Model Type | Teknik Özellikler / Technical Feature | | Ölçüler / Dimensions | | | | |
|-------------|---------------------------------------|---|----------------------|------|------|------|------|
| | Motor (kw) Power (kw) | Kapasite (Ton/Saat) Capacity (Ton/h) | A | B | C | D | E |
| ZSE 180x200 | 1.5 | 25 - 30 | 2120 | 2700 | 1665 | 2235 | 1810 |

TAMBURLU ÇÖP SASÖRÜ

Drum Separator
Барабанное Сито

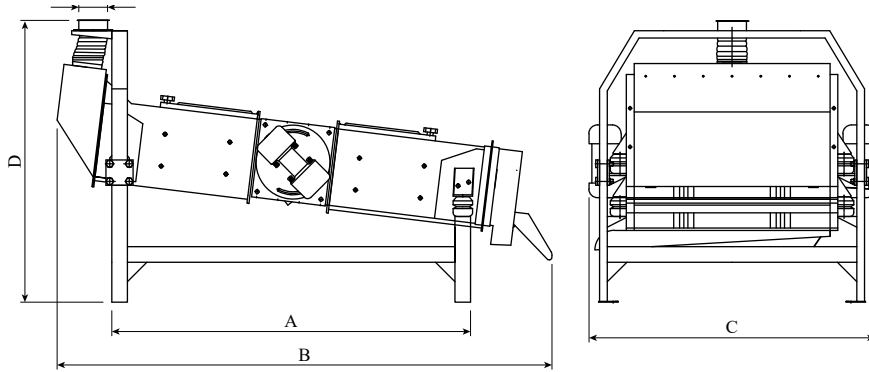


| Model Type | A | B | C | D | E | Motor Gücü | Ön Temizleme Kapasite |
|------------|------|------|------|------|------|--------------|-----------------------|
| | | | | | | Motor Power | Pre-Cleaning Capacity |
| | | | | | | (kW) | (t/h) |
| ZTS 90x300 | 3600 | 4570 | 3004 | 1210 | 1570 | 3 (2 x 0,75) | 100-120 |
| ZTS 90x400 | 4750 | 5720 | 3004 | 1210 | 1570 | 4 (2 x 0,75) | 130-150 |



ÇÖP SASÖRÜ

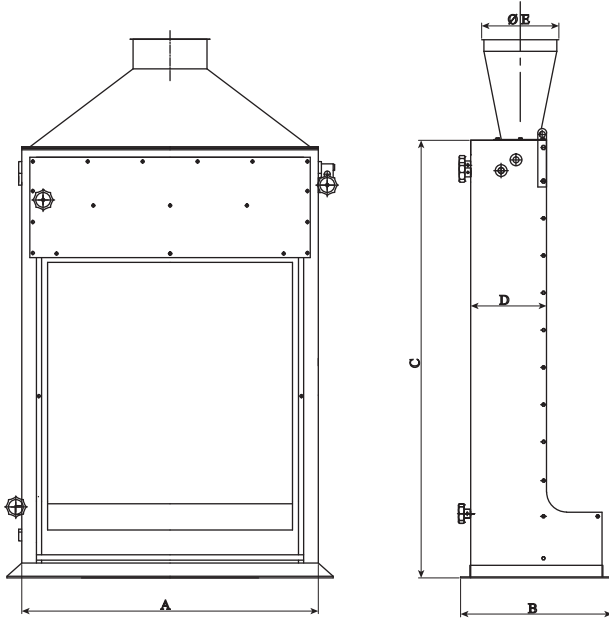
Vibro Grain Separator
Вибро Сепаратор



| Model Type | A | B | C | D | E | Capacity (t/h) | |
|-------------|------|------|------|------|-----|----------------|----------|
| | | | | | | Pre-Cleaning | Cleaning |
| ZÇS 80x160 | 1458 | 2210 | 1370 | 1385 | 120 | 12 | 8 |
| ZÇS 100x200 | 1864 | 2590 | 1665 | 1465 | 120 | 25 | 14 |
| ZÇS 150x240 | 2200 | 3200 | 2100 | 1850 | 200 | 45 | 30 |

HAVA KANALI

Air Channel
Воздушный Канал

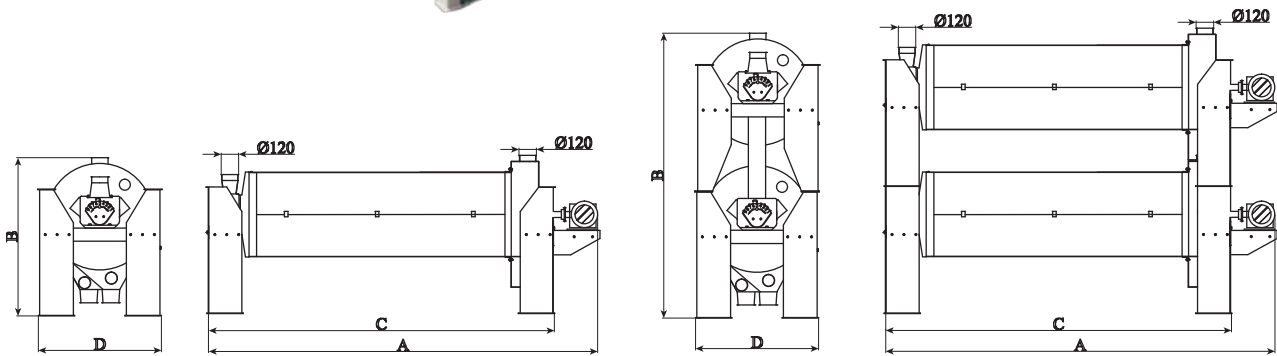


| Model Type | Ölçüler / Dimensions | | | | | Air Requirement (m ³ /min) | Capacity (t/s) |
|------------|----------------------|-----|------|-----|-----|---------------------------------------|----------------|
| | A | B | C | D | E | | |
| ZHK-80 | 800 | 480 | 1500 | 250 | 200 | 80 | 8 |
| ZHK-100 | 1000 | 480 | 1500 | 250 | 250 | 90 | 14 |
| ZHK-150 | 1500 | 608 | 1500 | 330 | 250 | 120 | 30 |



TRİYÖR

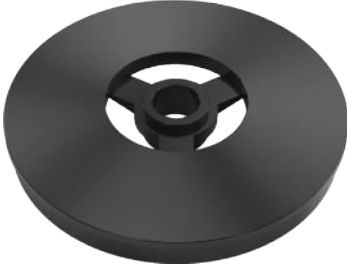
Trieur
Триер



| TYPE | A | B | C | D | Capacity (t/s) | power (kW) |
|----------------|------|------|------|------|----------------|------------|
| ZTR-63 x 200x1 | 2920 | 1150 | 2650 | 970 | 3-4 | 1,5 |
| ZTR-63 x 200x2 | 2920 | 1850 | 2650 | 970 | 6-8 | 1.5 |
| ZTR-63 x 240x1 | 3480 | 1150 | 3250 | 970 | 4-5 | 1.5 |
| ZTR-63 x 240x2 | 3480 | 1850 | 3250 | 970 | 8-10 | 1.5 |
| ZTR-90 x 240x1 | 3480 | 1405 | 3210 | 1130 | 5-6 | 2.2 |
| ZTR-90 x 240x2 | 3480 | 2270 | 3210 | 1130 | 10-12 | 2.2 |
| ZTR-90 x 300x1 | 4080 | 1405 | 3810 | 1130 | 6-7 | 2.2 |
| ZTR-90 x 300x2 | 4080 | 2270 | 3810 | 1130 | 12-14 | 2.2 |

ZTR-101 Triyör Tambur Döküm

Trieur Drum Casting
Барабан Триера (Литой)



ZTR-102 Triyör Zaviyeli Döküm

Trieur Angular Casting
Барабан Триера (Коленообразный)



ZTR-103 Triyör Ürün Girişi

Trieur Product Inlet
Вход Продукта (Зерна)



ZTR-104 Triyör Şanzuman

Trieur Transmission
Трансмисия Триера



ZTR-105 Triyör Gösterge Dökümü

Trieur Indicator
Индикатор Триера



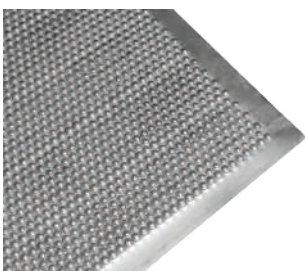
ZTR-106 Triyör Ayar Tekeri

Trieur Adjustment Wheel
Регулировачное Колесо Триера



ZTR-107 Triyör Sacı

Trieur Sheet
Лист Триера



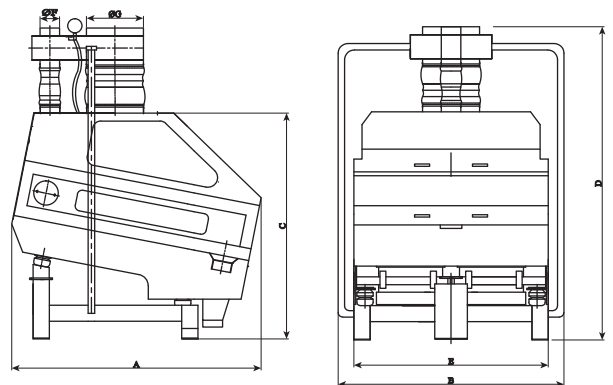
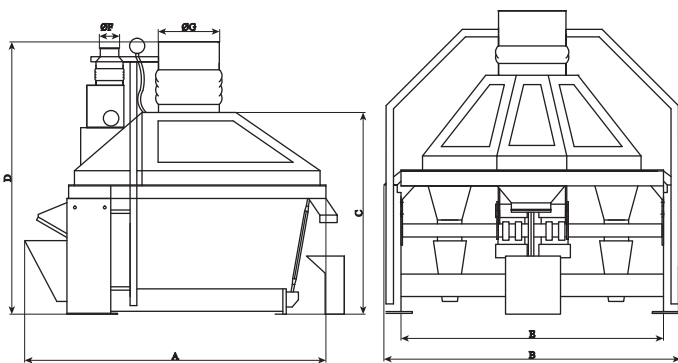
| Code | Type | Thickness (mm) | Hole Ø (mm) | | | | | |
|---------|---------|----------------|-------------|-----|-----|---|-----|------|
| ZTR-107 | 100x200 | 1000x2000 | 5 | 5,5 | 6,5 | 7 | 9,5 | 10,5 |
| | 120x240 | 1200x2400 | 5 | 5,5 | 6,5 | 7 | 9,5 | 10,5 |
| | Type | Thickness (mm) | Hole Ø (mm) | | | | | |
| | 115x200 | 1150x2000 | - | 5,5 | 6,5 | - | 9,5 | 10,5 |



TAŞ AYIRICI

Dry Stoner

Камнеотборник



| Type | Technical Features | | | Dimensions (mm) | | | | | | |
|-------------|--------------------|----------------|------------------------------------|-----------------|------|------|------|------|-----|-----|
| | Capacity (t/h) | Motor (kW) | Air Required (m ³ /dak) | A | B | C | D | E | ØF | ØG |
| ZTA 100 | 8 | 2x0.35 (vibro) | 80 | 1700 | 1585 | 1230 | 1610 | 1585 | 120 | 350 |
| ZTA 120x120 | 14 | 2x0.35 (vibro) | 100 | 1760 | 1380 | 1360 | 1930 | 1183 | 120 | 500 |

ZTA-101 Taş Ayırıcı Ürün Giriş Lastiği

Stone Separator Product Inlet Rubber
Вход Продукта В Патрубок Камнеотборника



ZTA-102 Taş Ayırıcı Aspirasyon Köriüğü

Stone Separator Aspiration Rubber
Аспирационный Патрубок Камнеотборника



ZTA-103 Taş Ayırıcı Boğaz Lastiği

Stone Separator Strait Rubber
Соединительный Патрубок



| Code | Diameter Ø (mm) | Length (mm) |
|---------|-----------------|-------------|
| ZTA-103 | 120 mm | 200 mm |
| | 150 mm | 200 mm |
| | 200 mm | 200 mm |
| | 250 mm | 200 mm |
| | 300 mm | 200 mm |
| | 350 mm | 200 mm |
| | 400 mm | 200 mm |
| | 450 mm | 200 mm |
| | 500 mm | 200 mm |
| | 550 mm | 200 mm |
| | 600 mm | 200 mm |
| | 700 mm | 200 mm |

ZTA-104 Taş Ayırıcı Ürün Çıkış Lastiği

Stone Separator Product Outlet Rubber
Каучуковый Патрубок Камнеотборника



| Code | Diameter Ø (mm) |
|---------|-----------------|
| ZTA-104 | 120 mm |
| | 150 mm |

ZTA-105 Taş Ayırıcı Vibrasyon Yayı

Stone Separator Vibration Spring
Пружина Камнеотборника



ZTA-106 Taş Ayırıcı Vibrasyon Takozu

Stone Separator Vibration Rubber
Вибромуфта Камнеотборника



ZTA-107 Taş Ayırıcı Teli

Stone Separator Wire
Сетка Камнеотборника



| Code | Aluminum Plate |
|------------|-------------------|
| ZTA-107-01 | 128 x 38,5 mm |
| | 128 x 73,5 mm |
| Code | Perforated Sheet |
| ZTA-107-02 | 129 x 38,5 x 5 mm |
| | 129 x 73,5 x 5 mm |
| Code | Knitted Wire |
| ZTA-107-03 | 140 x 48 |
| | 140 x 75 |

ZTA-108 Taş Ayırıcı Saati

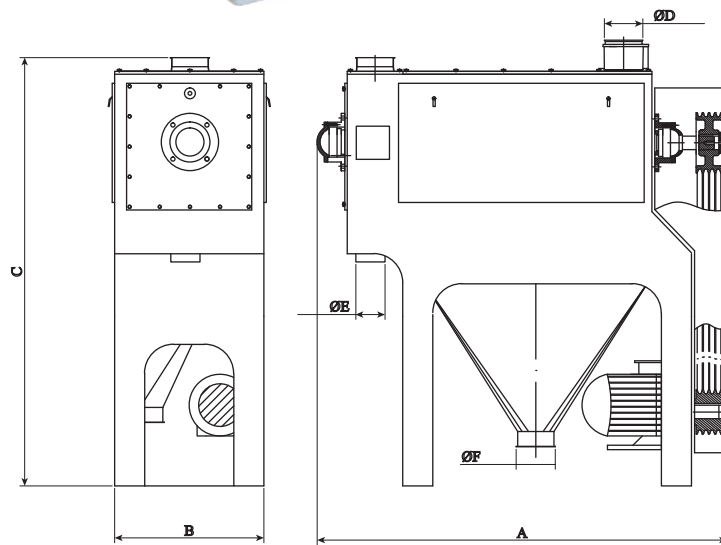
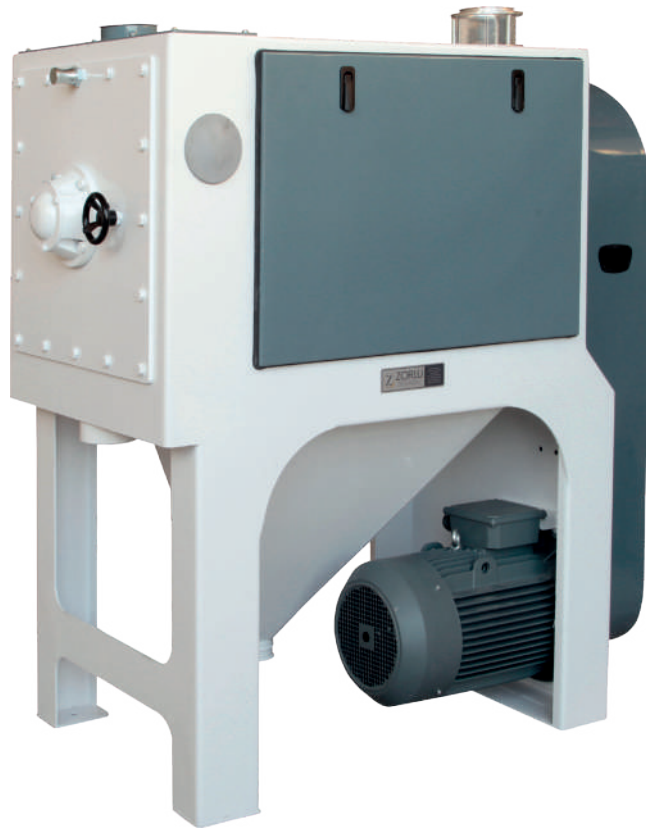
Stone Separator Gauge
Датчик Камнеотборника





KABUK SOYUCU

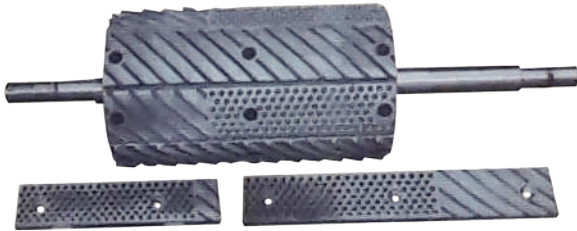
Horizontal Scourer
Обочная Машина



| TYPE | A | B | C | D | E | F | Motor (kW) | Capacity (t/h) |
|-----------|------|-----|------|-----|-----|-----|------------|----------------|
| ZKS-35/60 | 1210 | 502 | 1557 | 120 | 120 | 120 | 7,5 | 8 |
| ZKS-45/80 | 1510 | 698 | 1776 | 120 | 120 | 120 | 15 | 14 |

ZKS-101 YM. Kabuk Soyucu Rotoru (Takım)

Horizontal Scourer Rotor Casting Set (New Model)
Ротор Обочной Машины



| Code | Type |
|---------|---------|
| ZKS-101 | 35 / 60 |
| | 45 / 80 |

ZKS-102 Kabuk Soyucu Rotoru (Takım)

Horizontal Scourer Rotor Casting (Set)
Ротор Обочной Машины



| Code | Type |
|---------|----------|
| ZKS-102 | 30 / 100 |
| | 30 / 150 |

ZKS-103 Kabuk Soyucu Rulman Yatađı

Horizontal Scourer Bearing Hoising
Корпус Подшипника Обочной Машины



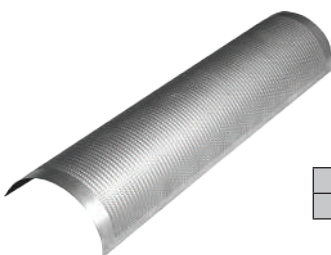
ZKS-104 Kabuk Soyucu Yatak Rulmanı

Horizontal Scourer Housing Bearing
Пошипник Обочной Машины С Корпусом



ZKS-105 Kabuk Soyucu Sacı

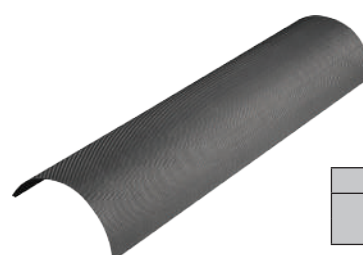
Horizontal Scourer Sheet
Сито Обочной Машины



| Code | Dimension (mm) |
|---------|----------------|
| ZKS-105 | 500 x 1500 |

ZKS-106 Kabuk Soyucu Teli

Horizontal Scourer Wire
Сетка Обочной Машины

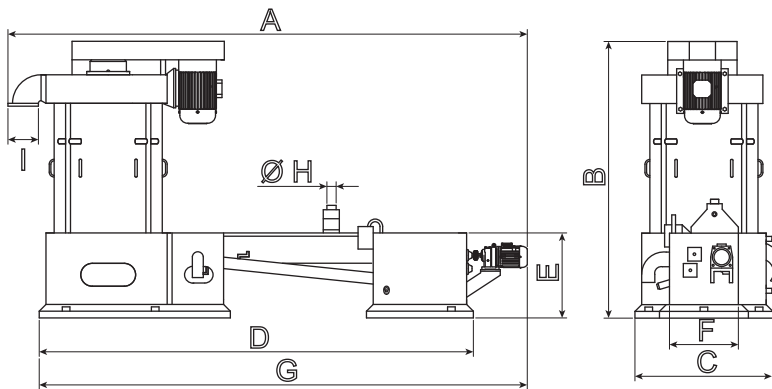
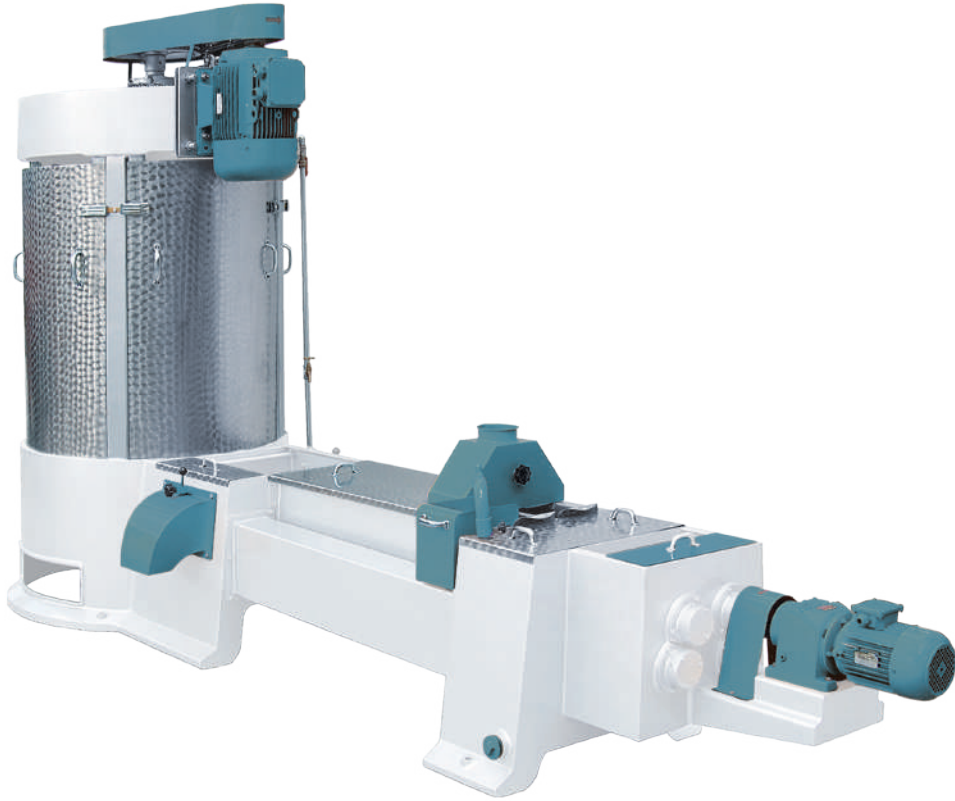


| Code | Type |
|---------|---------|
| ZKS-106 | 35 / 60 |
| | 45 / 80 |



DİK KURUTMALI YIKAMA

Vertical Washing & Drying
Вертикальная Мойка



| Model Type | Ölçüler / Dimensions (mm) | | | | | | | | | Kapasite Capacity (t/h) | Motor Gücü Motor Power | | Su İhtiyacı Water Requirement (lt/h) | Su Girişi Water Inlet PUT Ø (DN) | Rotor Rotary (mm) | Ağırlık Weight (kg) |
|------------|---------------------------|------|------|------|-----|-----|------|-----|---------|-------------------------|------------------------|----------------|--------------------------------------|----------------------------------|-------------------|---------------------|
| | A | B | C | D | E | F | G | H | I | | Yıkama Washing | Kurutma Drying | | | | |
| ZDKY 6 | 4170 | 2400 | 950 | 3300 | 500 | 550 | 3900 | 120 | 190x290 | 3 - 4 | 0,75kw 160rpm | 7,5kw 1500rpm | 1200 lt | 1" (DN25) | 600 | 1400 |
| ZDKY 8 | 4470 | 2400 | 1100 | 3600 | 550 | 650 | 4200 | 120 | 190x390 | 6 - 8 | 1,1kw 160rpm | 11kw 1500rpm | 3000 lt | 1" (DN25) | 750 | 1650 |
| ZDKY 12 | 4670 | 2500 | 1300 | 3800 | 580 | 700 | 4400 | 150 | 190x490 | 12 - 14 | 1,5kw 160rpm | 15kw 1500rpm | 5000 lt | 1-1/4" (DN32) | 900 | 2000 |

ZDKY-101 Yıkama Paleti Takımı

Washing Drying Palette (Set)
Палета Мойки



| Code | Type |
|-------------|------|
| ZDKY-101-6 | 6 |
| ZDKY-101-8 | 8 |
| ZDKY-101-12 | 12 |

ZDKY-102 Yıkama Şanzuman Dişli Takımı

Washing Drying Gears (Set)
Шестерни Мойки



| Code | Gear |
|------------|------|
| ZDKY-102-1 | 22 |
| ZDKY-102-2 | 43 |
| ZDKY-102-3 | 52 |

ZDKY-103 Yıkama Şanzuman Yatakları

Washing Drying Transmission Housing
Корпус Мойки



ZDKY-104 Yıkama Kasnakları

Washing Drying Pulleys
Норийный



ZDKY-105 Yıkama Helezonu

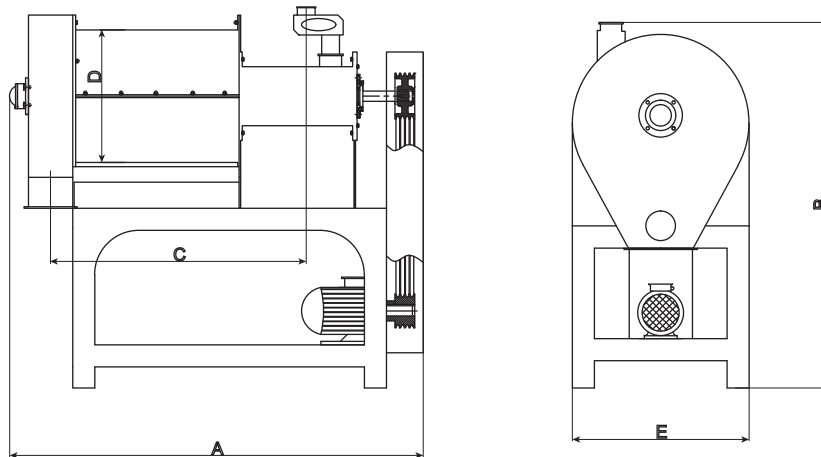
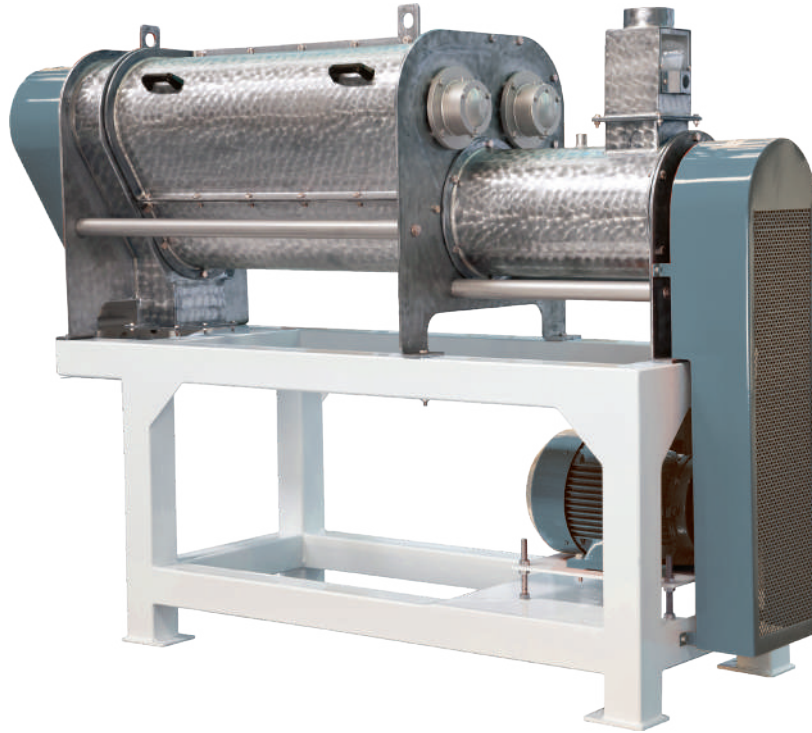
Washing Drying Spiral
Шкив Мойки





CEBRİ TAV

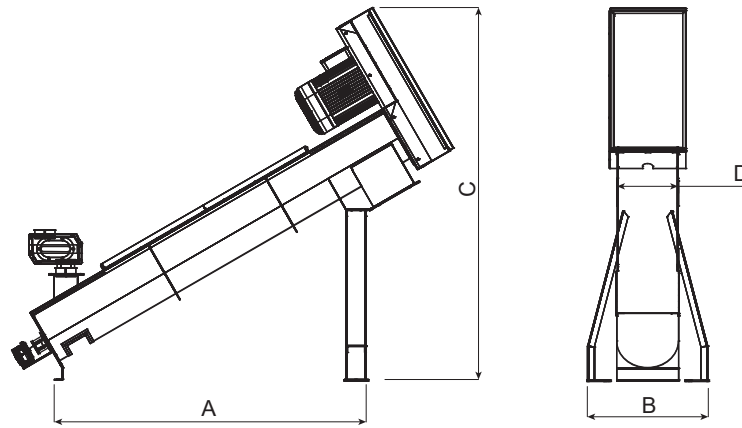
Intensive Dampener
Увлажнитель



| Type | Dimensions (mm) | | | | | Motor (kW) | Capacity (t/h) |
|------------|-----------------|------|------|-----|-----|------------|----------------|
| | A | B | C | D | E | | |
| ZCT 32x50 | 1800 | 1580 | 925 | 540 | 670 | 7,5 | 8 |
| ZCT 32x100 | 2300 | 1850 | 1550 | 540 | 670 | 15 | 14 |

AÇILI CEBRİ TAV

Inclined Intensive Dampener
Аткрытый Увлажнитель



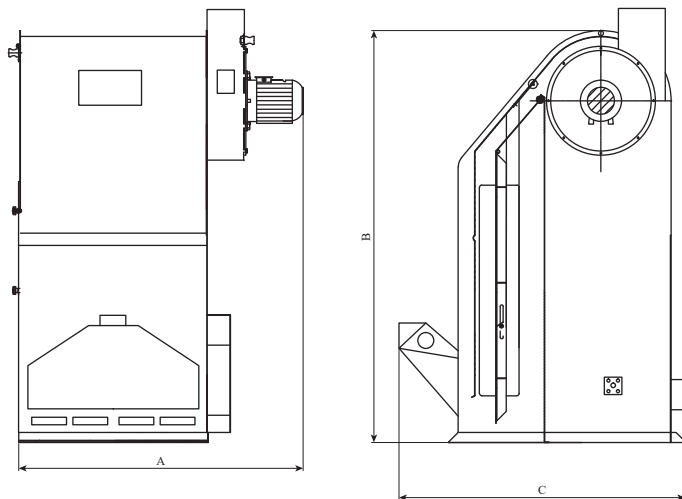
| Type | Technical Features | | Dimensions (mm) | | | |
|---------|--------------------|------------|-----------------|-----|------|-----|
| | Capacity (t/h) | Motor (kW) | A | B | C | D |
| ZAT 280 | 12 | 7.5 | 1850 | 710 | 2235 | 280 |
| ZAT 350 | 15 | 11 | 1770 | 780 | 2257 | 350 |
| ZAT 350 | 20 | 15 | | 780 | 2257 | 350 |



RADYAL TARAR

Radial Tarar

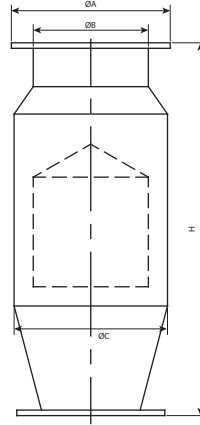
Радиальный Прочесыватель



| Type | Dimensions (mm) | | | Power (kW) | | Capacity t/h |
|---------|-----------------|------|------|------------|---------|--------------|
| | A | B | C | Aspirator | Reducer | |
| ZRT 60 | 1210 | 1915 | 1375 | 3 | 0,75 | 6 |
| ZRT 80 | 1410 | 1915 | 1375 | 3 | 0,75 | 8 |
| ZRT 100 | 1503 | 1915 | 1375 | 3 | 0,75 | 14 |

ZMK-100 Füze Tip Miknatis

Rocket Magnet
Рокетовидный Магнит



| Type | Capacity (t/h) | | Dimensions (mm) | | | |
|--------|----------------|------|-----------------|-----|-----|------|
| | Wheat | Corn | ØA | ØB | ØC | H |
| ZM 10 | 10 | 8 | 180 | 120 | 250 | 620 |
| ZM 20 | 20 | 15 | 210 | 150 | 300 | 620 |
| ZM 30 | 30 | 25 | 260 | 200 | 350 | 720 |
| ZM 50 | 45-50 | 40 | 280 | 220 | 400 | 770 |
| ZM 75 | 75 | 60 | 310 | 250 | 450 | 900 |
| ZM 100 | 100 | 85 | 360 | 300 | 600 | 1000 |
| ZM 150 | 150 | 125 | 380 | 320 | 650 | 1100 |
| ZM 200 | 200 | 170 | 450 | 380 | 750 | 1100 |

ZMK-101 Miknatis Kutusu

Magnet Box
Магнитная Коробка



| Code | Type | Capacity (t/h) | Dimensions (mm) | | |
|------|------|----------------|-----------------|--------|--------|
| | | | Inlet | Outlet | Height |
| ZMK | 100 | 10 | 100 | 200 | 570 |
| | 120 | 17 | 120 | 230 | 640 |
| | 150 | 30 | 150 | 275 | 680 |
| | 200 | 70 | 200 | 355 | 790 |
| | 250 | 100 | 250 | 435 | 950 |
| | 300 | 130 | 300 | 515 | 1000 |

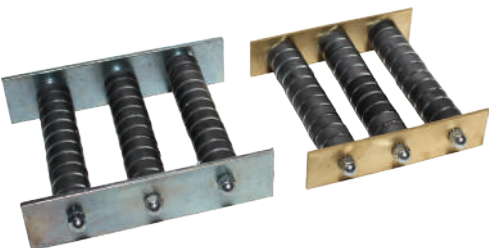
ZMK-102 Alüminyum Miknatis

Aluminium Magnet
Магнитная Коробка (Алюминиевая)



ZMK-103 Separatör Miknatis

Separator Magnet
Сепараторный Магнит



| Code | Type | Width (mm) | Length (mm) |
|---------|------|------------|-------------|
| ZMK-103 | 15 | 150 | 160 |
| | 23 | 230 | 250 |
| | 28 | 280 | 300 |



divayn
FEVZİ



ZORLU DEĞİRMEN
DEĞİRMEN MAKİNELERİ İML. SAN. LTD. ŞTİ.

Fevzi Çakmak Mah. Gülistan Cd. No: 36/A Karatay / KONYA
Tel +90 332 248 10 83 // Fax +90 332 248 10 88 // info@zorumilling.com

www.zorumilling.com

